

ICN024

Input/output Interface Module for status and control of OEM equipment



FEATURES

- Provides an interface to the ICN022 and ICN023 gateways via an RS-485 port
- Supports combined networking of up to 128 ICN022, ICN023 and ICN024 nodes via the internal bus protocol (IIBP)
- Uses “End of line” (EOL) resistors to monitor interface cables and differentiate between fault and fire input types (Fire-Bridge™)
- Uses “contact monitoring” to confirm the contact status of relays (Fire-Bridge™)
- Can be configured as signal booster with galvanic isolation by routing signals through two RS-485 ports, one of which has galvanic isolation.
- Protocol types supported:
 - Proprietary MODBUS
 - OEM Proprietary protocol (OEMP-X)
- Input for external relay status monitoring (for example, status contacts on an extinguishing panel)
- Output via voltage free contacts (for example, to turn on a strobe light or siren)
- Front fascia LEDs to indicate system status
- DIN rail mountable
- USB interface to configure module with PC application (EGEN64)
- Supports a 90-character ASCII text string/label for each input and output
- Supports a 40-character text string for location information
- Text strings with status information on each input/output is routed to a gateway for monitoring and notification

ICNS Global Ltd United Kingdom

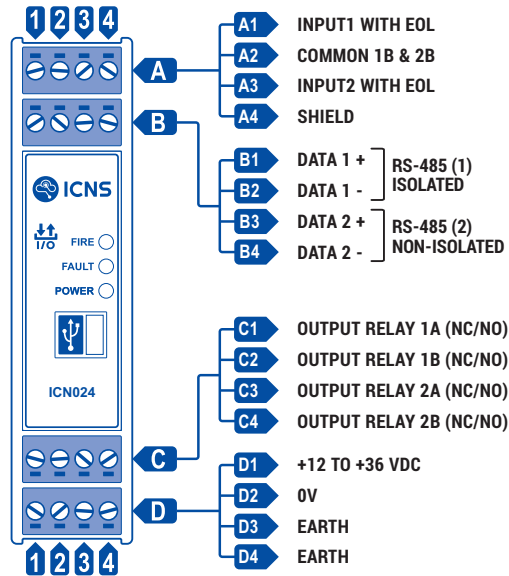
8A Brooklands Road, Sale, Cheshire, M33 3SQ UK
Tel: +44 (0) 161 302 9788
marketing@icnsglobal.com | icnsglobal.com

ICNS (Pty) Ltd South Africa

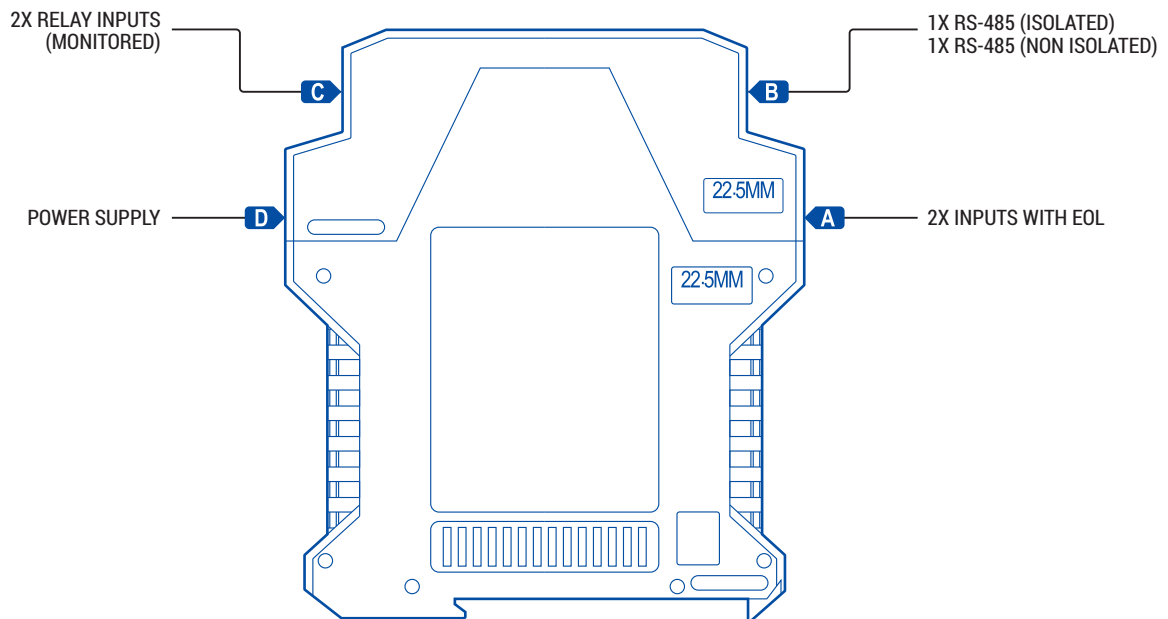
21 Diaz Street, Somerset West, 7130, South Africa
Tel: +27 (0) 84 589 6821
marketing@icnsglobal.com | icnsglobal.com

501-ICN024-ICN-D-01

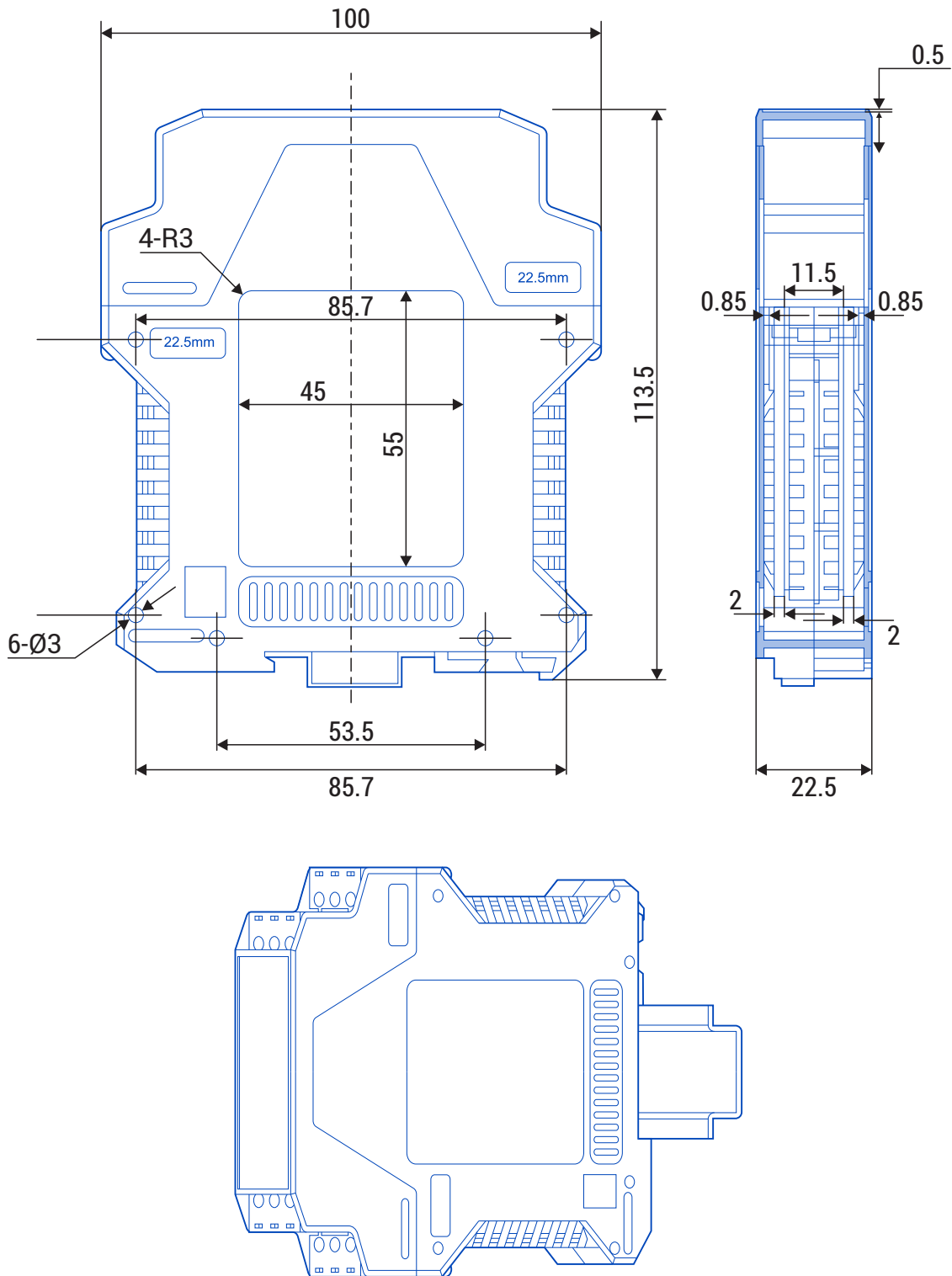
WIRING DIAGRAM



CONFIGURABLE INTERFACES



DIAGRAM



SPECIFICATIONS

DIMENSIONS

Dimensions:	99.1 X 111.9 X 22.5 mm
Weight:	200g
Mounting:	DIN Rail

POWER

Operating voltage:	18 to 36V (24V DC nominal)
Current Rating:	150mA (at 24V)

INTERFACES

Port A (Inputs):	1 - Input 1A with EOL 2 - Common 1B & 2B 3 - Input 2A with EOL 4 - Shield for RS-485	
Port B (RS-485):	1 - Data 1 + 2 - Data 1 - 3 - Data 2 + 4 - Data 2 -	galvanic isolation no isolation
Port C (Outputs): (Refer to jumper settings)	1 - Output Relay 1A (NC/NO) 2 - Output Relay 1B (NC/NO) 3 - Output Relay 2A (NC/NO) 4 - Output Relay 2B (NC/NO)	
Port D (PSU):	1 - +12V TO 36V DC, 2 - 0V, 3 - Earth 4 - Earth	
Baud Rate:	9600 to 115200 (selectable / configurable)	
USB:	USB Micro-B connection (device / slave Mode)	

TEMPERATURE

Operating:	-10 to 50°C
Storage:	-40 to 70°C

AGENCY APPROVALS AND STANDARDS

CE, UKCA, RoHs, WEEE compliant
EMC: EN 61000-6-2
EMC: EN 61000-6-4
Safety: EN 60950